

# Algebraic Reasoning

Name: \_\_\_\_\_

Per: \_\_\_\_\_

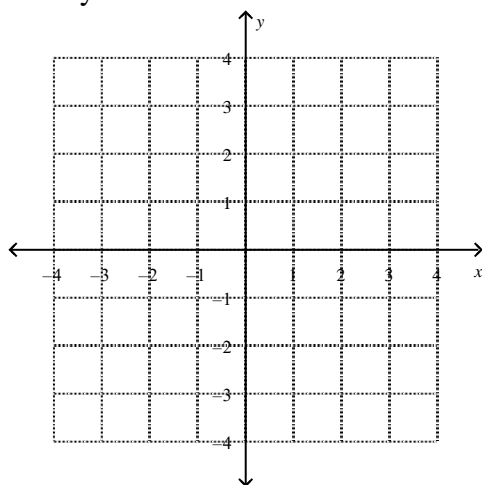
POINTS: \_\_\_\_\_

## Homework #5 Quiz

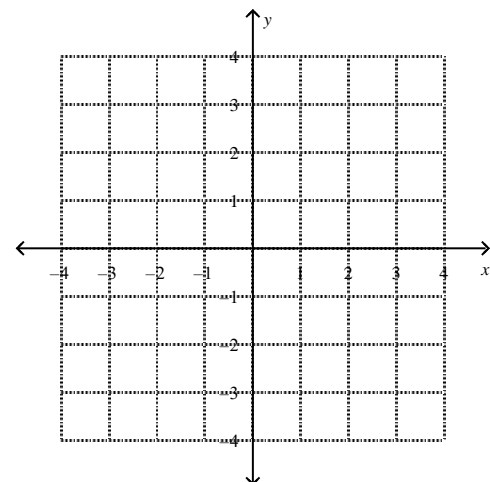
Be sure to include your work when appropriate.

Graph each equation.

1.  $x + y > -5$



2.  $y + 1 < 4$



# Algebraic Reasoning

Name: \_\_\_\_\_

Per: \_\_\_\_\_

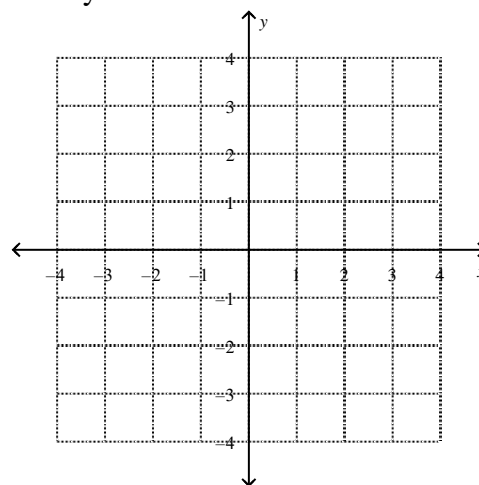
POINTS: \_\_\_\_\_

## Homework #5 Quiz

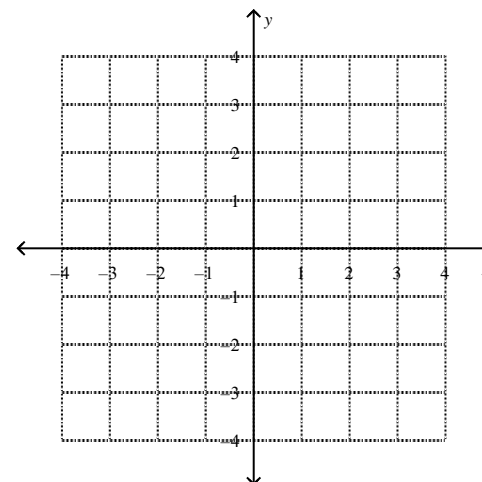
Be sure to include your work when appropriate.

Graph each equation.

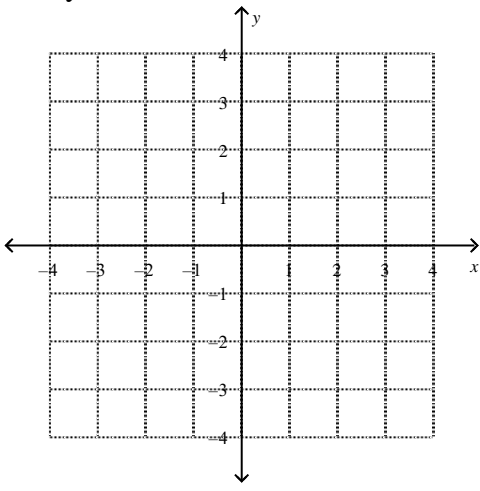
1.  $x + y > -5$



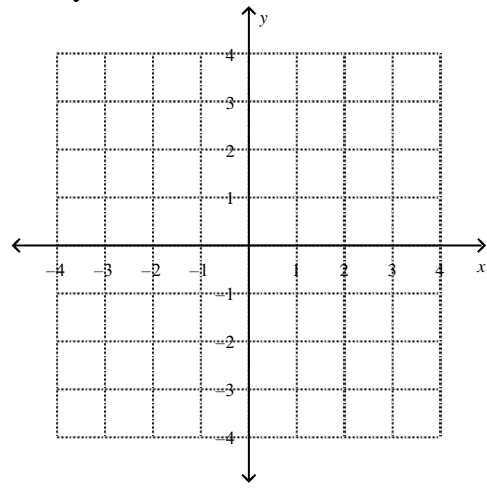
2.  $y + 1 < 4$



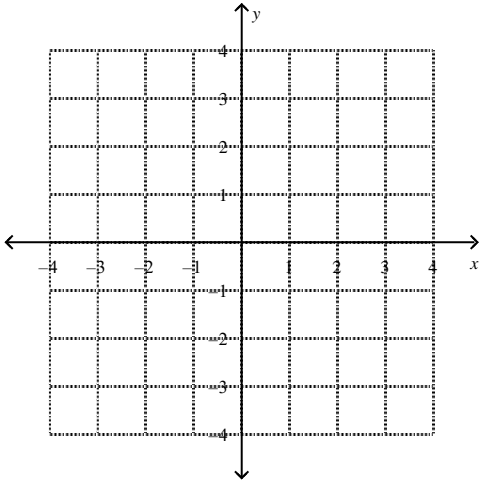
3.  $x - 6y + 3 > 0$



3.  $x - 6y + 3 > 0$



4.  $x - 5 \leq y$



4.  $x - 5 \leq y$

